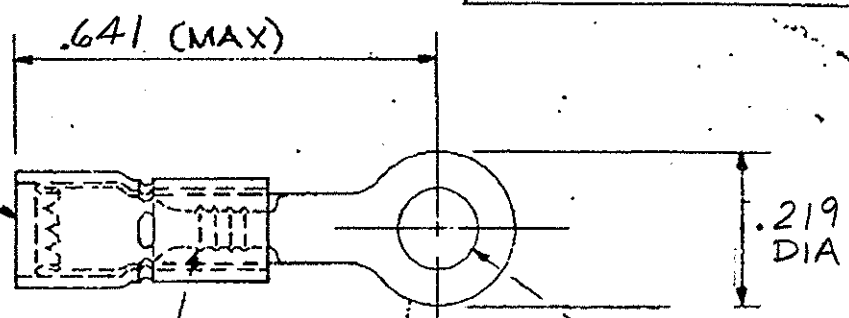


CUSTOMER COPY
FOR REF. ONLY.

150493

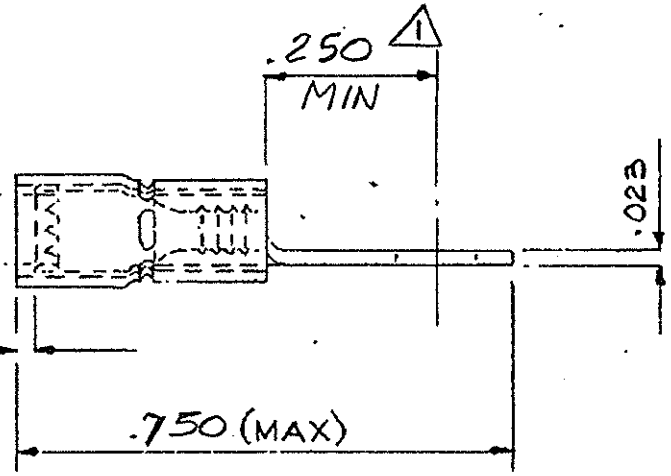
TRANSLUCENT
INSULATION



SERRATIONS

$\pm .003$
.119 DIA.
FOR #4 STUD

FOR .040/.100
INSULATION DIA.



▲ FROM EDGE OF METAL WIRE BBL.
TO CENTER OF STUD HOLE.

MATERIAL - COPPER

HEAT TREATMENT - ANNEALED

FINISH - ELECTRO-TIN

REV	ALT
1	
2	
3	
4	
5	
6	
7	
8	
9	
0	
1	
2	
3	
4	
5	
6	
7	
8	
9	
0	

				AIRCRAFT-MARINE PRODUCTS (G.B.) LTD	
				INDUSTRIAL ESTATE, PORT GLASGOW	
				WIRE TERMINAL	
				CLASS RING TONGUE	
				TYPE P.I.D.G. (NYLON)	
				SIZE 24-20	
				TOLERANCES - ALL DIMENSIONS $\pm .003$ EXCEPT AS NOTED	
NO.	ALTERATION	DATE	BY	N.O.C.	
DR. B.A. SMITH	1-2-63	TR.			
DR. L. WELLS	1-5-63	MR. L. WELLS	5-2-63		
				SCALE -	4/1 150493